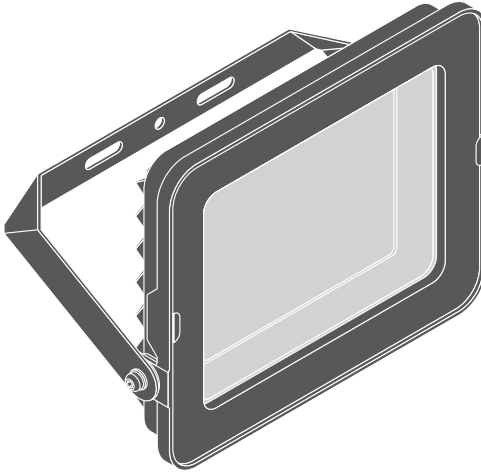


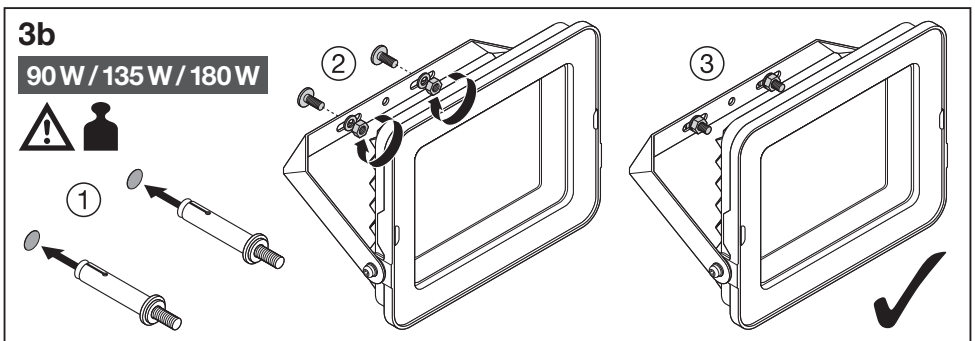
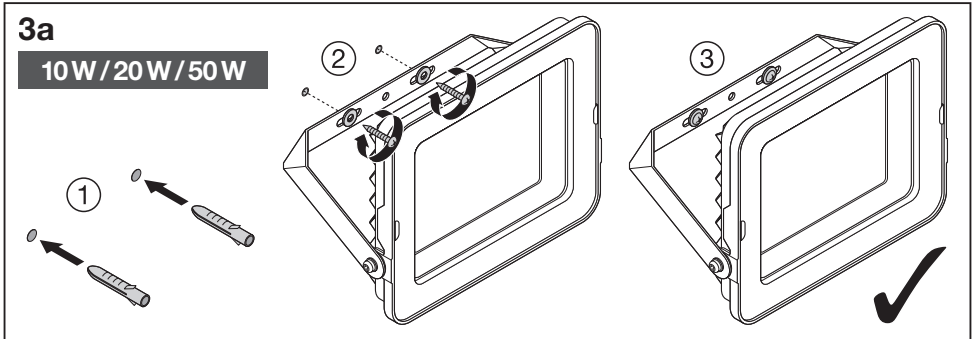
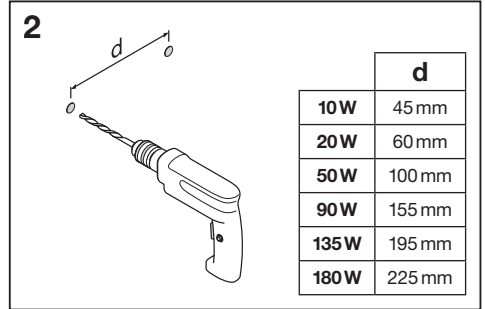
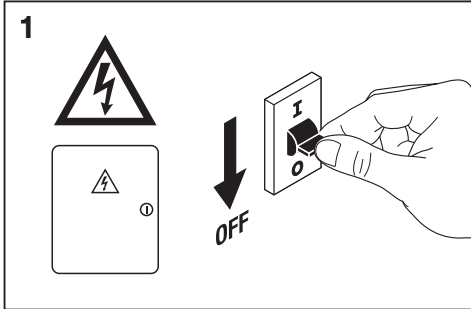
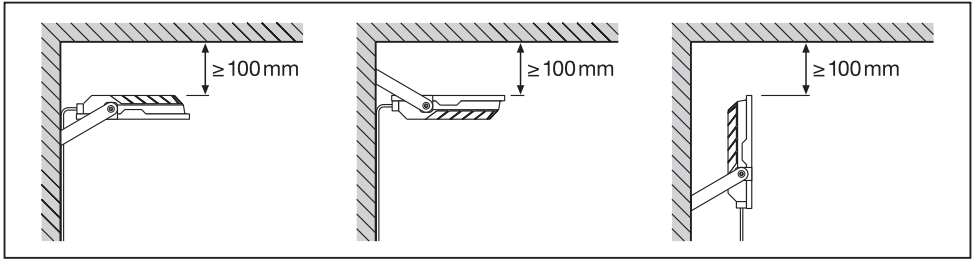
## FLOODLIGHT COMPACT

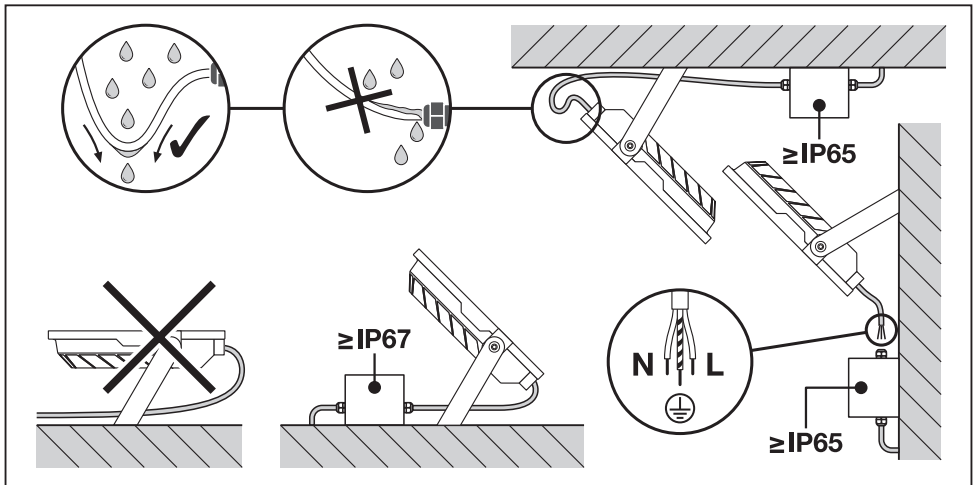
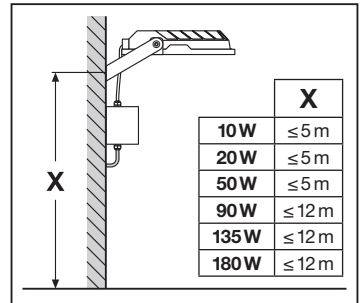
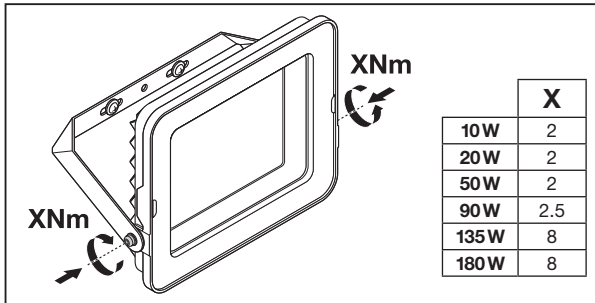
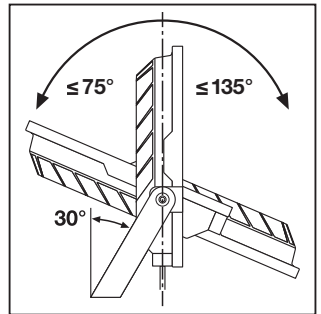
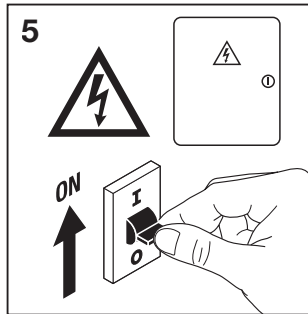
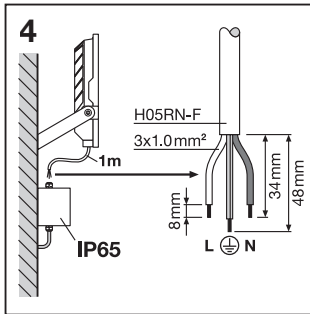


	EAN	l x w x h [mm]	W	V <sub>AC</sub>	Hz	lm	lm/W	K
FL COMP V 10W 830 SYM 100 BK	4058075574557	114x109x29	10	220-240	50/60	900	90	3000
FL COMP V 10W 830 SYM 100 WT	4058075574571	114x109x29	10	220-240	50/60	900	90	3000
FL COMP V 10W 840 SYM 100 BK	4058075574595	114x109x29	10	220-240	50/60	1000	100	4000
FL COMP V 10W 840 SYM 100 WT	4058075574618	114x109x29	10	220-240	50/60	1000	100	4000
FL COMP V 10W 865 SYM 100 BK	4058075574656	114x109x29	10	220-240	50/60	1000	100	6500
FL COMP V 10W 865 SYM 100 WT	4058075574694	114x109x29	10	220-240	50/60	1000	100	6500
FL COMP V 20W 830 SYM 100 BK	4058075574731	124x122x29	20	220-240	50/60	1800	90	3000
FL COMP V 20W 830 SYM 100 WT	4058075574755	124x122x29	20	220-240	50/60	1800	90	3000
FL COMP V 20W 840 SYM 100 BK	4058075574779	124x122x29	20	220-240	50/60	2000	100	4000
FL COMP V 20W 840 SYM 100 WT	4058075574793	124x122x29	20	220-240	50/60	2000	100	4000
FL COMP V 20W 865 SYM 100 BK	4058075574816	124x122x29	20	220-240	50/60	2000	100	6500
FL COMP V 20W 865 SYM 100 WT	4058075574830	124x122x29	20	220-240	50/60	2000	100	6500
FL COMP V 50W 830 SYM 100 BK	4058075574854	160x170x36	50	220-240	50/60	4500	90	3000
FL COMP V 50W 830 SYM 100 WT	4058075574878	160x170x36	50	220-240	50/60	4500	90	3000
FL COMP V 50W 840 SYM 100 BK	4058075574892	160x170x36	50	220-240	50/60	5000	100	4000
FL COMP V 50W 840 SYM 100 WT	4058075574915	160x170x36	50	220-240	50/60	5000	100	4000
FL COMP V 50W 865 SYM 100 BK	4058075574939	160x170x36	50	220-240	50/60	5000	100	6500
FL COMP V 50W 865 SYM 100 WT	4058075574960	160x170x36	50	220-240	50/60	5000	100	6500
FL COMP V 90W 830 SYM 100 BK	4058075574984	236x255x40	90	220-240	50/60	8100	90	3000
FL COMP V 90W 840 SYM 100 BK	4058075575004	236x255x40	90	220-240	50/60	9000	100	4000
FL COMP V 90W 865 SYM 100 BK	4058075575080	236x255x40	90	220-240	50/60	9000	100	6500
FL COMP V 135W 830 SYM 100 BK	4058075575103	274x305x48	135	220-240	50/60	12150	90	3000
FL COMP V 135W 840 SYM 100 BK	4058075575127	274x305x48	135	220-240	50/60	13500	100	4000
FL COMP V 135W 865 SYM 100 BK	4058075575141	274x305x48	135	220-240	50/60	13500	100	6500
FL COMP V 180W 830 SYM 100 BK	4058075575165	300x340x55	180	220-240	50/60	16800	90	3000
FL COMP V 180W 840 SYM 100 BK	4058075575189	300x340x55	180	220-240	50/60	18000	100	4000
FL COMP V 180W 865 SYM 100 BK	4058075575202	300x340x55	180	220-240	50/60	18000	100	6500

	EAN	IP	IK	∇	R <sub>a</sub>	⊖ (°C)	PF	⚙
FL COMP V 10W 830 SYM 100 BK	4058075574557	65	06	100°	≥ 80	-30...+45	> 0.9	0.3 kg
FL COMP V 10W 830 SYM 100 WT	4058075574571	65	06	100°	≥ 80	-30...+45	> 0.9	0.3 kg
FL COMP V 10W 840 SYM 100 BK	4058075574595	65	06	100°	≥ 80	-30...+45	> 0.9	0.3 kg
FL COMP V 10W 840 SYM 100 WT	4058075574618	65	06	100°	≥ 80	-30...+45	> 0.9	0.3 kg
FL COMP V 10W 865 SYM 100 BK	4058075574656	65	06	100°	≥ 80	-30...+45	> 0.9	0.3 kg
FL COMP V 10W 865 SYM 100 WT	4058075574694	65	06	100°	≥ 80	-30...+45	> 0.9	0.3 kg
FL COMP V 20W 830 SYM 100 BK	4058075574731	65	06	100°	≥ 80	-30...+45	> 0.9	0.3 kg
FL COMP V 20W 830 SYM 100 WT	4058075574755	65	06	100°	≥ 80	-30...+45	> 0.9	0.3 kg
FL COMP V 20W 840 SYM 100 BK	4058075574779	65	06	100°	≥ 80	-30...+45	> 0.9	0.3 kg
FL COMP V 20W 840 SYM 100 WT	4058075574793	65	06	100°	≥ 80	-30...+45	> 0.9	0.3 kg
FL COMP V 20W 865 SYM 100 BK	4058075574816	65	06	100°	≥ 80	-30...+45	> 0.9	0.3 kg
FL COMP V 20W 865 SYM 100 WT	4058075574830	65	06	100°	≥ 80	-30...+45	> 0.9	0.3 kg
FL COMP V 50W 830 SYM 100 BK	4058075574854	65	06	100°	≥ 80	-30...+45	> 0.9	0.6 kg
FL COMP V 50W 830 SYM 100 WT	4058075574878	65	06	100°	≥ 80	-30...+45	> 0.9	0.6 kg
FL COMP V 50W 840 SYM 100 BK	4058075574892	65	06	100°	≥ 80	-30...+45	> 0.9	0.6 kg
FL COMP V 50W 840 SYM 100 WT	4058075574915	65	06	100°	≥ 80	-30...+45	> 0.9	0.6 kg
FL COMP V 50W 865 SYM 100 BK	4058075574939	65	06	100°	≥ 80	-30...+45	> 0.9	0.6 kg
FL COMP V 50W 865 SYM 100 WT	4058075574960	65	06	100°	≥ 80	-30...+45	> 0.9	0.6 kg
FL COMP V 90W 830 SYM 100 BK	4058075574984	65	08	100°	≥ 80	-30...+45	> 0.9	1.5 kg
FL COMP V 90W 840 SYM 100 BK	4058075575004	65	08	100°	≥ 80	-30...+45	> 0.9	1.5 kg
FL COMP V 90W 865 SYM 100 BK	4058075575080	65	08	100°	≥ 80	-30...+45	> 0.9	1.5 kg
FL COMP V 135W 830 SYM 100 BK	4058075575103	65	08	100°	≥ 80	-30...+45	> 0.9	2.2 kg
FL COMP V 135W 840 SYM 100 BK	4058075575127	65	08	100°	≥ 80	-30...+45	> 0.9	2.2 kg
FL COMP V 135W 865 SYM 100 BK	4058075575141	65	08	100°	≥ 80	-30...+45	> 0.9	2.2 kg
FL COMP V 180W 830 SYM 100 BK	4058075575165	65	08	100°	≥ 80	-30...+45	> 0.9	2.9 kg
FL COMP V 180W 840 SYM 100 BK	4058075575189	65	08	100°	≥ 80	-30...+45	> 0.9	2.9 kg
FL COMP V 180W 865 SYM 100 BK	4058075575202	65	08	100°	≥ 80	-30...+45	> 0.9	2.9 kg

								230 Vac		
		A	B	C						
10W		55	35	5.5	2x M5	0.007 m <sup>2</sup>		133	182	212
20W		70	50	5.5	2x M5	0.009 m <sup>2</sup>		66	90	105
50W		110	90	5.5	2x M5	0.018 m <sup>2</sup>		26	36	42
90W		170	140	6.5	2x M6	0.043 m <sup>2</sup>		15	20	23
135W		210	180	8.5	2x M8	0.061 m <sup>2</sup>		10	13	16
180W		240	210	8.5	2x M8	0.077 m <sup>2</sup>		7	10	12





Points de collecte sur [www.quefairedemesdechets.fr](http://www.quefairedemesdechets.fr)  
Privilégiez la réparation ou le don de votre appareil !

C10449057  
G11143234  
17.05.22



LEDVANCE GmbH  
Steinerne Furt 62  
86167 Augsburg, Germany  
[www.ledvance.com](http://www.ledvance.com)

© LEDVANCE Ltd, Aquila House  
Delta Crescent, Westbrook, Warrington  
WA5 7NR, United Kingdom

# PRODUCT DATASHEET

## FL COMP V 180W 840 SYM 100 BK

FLOODLIGHT COMPACT 180W | Floodlight with up to 18000 lm light output



### Areas of application

- Replacement for floodlights with halogen lamps
- Outdoor use (IP65)
- Public areas
- Building facades
- Gardens, balconies and other outdoor areas
- Construction areas

### Product benefits

- Robust, yet light and compact design
- Safe and very uniform illumination, due to frosted and tempered glass diffuser
- No upper light output ratio (ULOR 0%) when mounted at 0° tilt
- Energy savings of up to 90 % compared to halogen lamp floodlights
- 3 years guarantee

### Product features

- Reflector-based, symmetric light distribution with 100° x 100° beam angle
- Surge protection: up to 4 kV (L/N-PE), 2 kV (L-N)
- Mounting bracket with 30° angle and wide rotation area
- Pre-installed, flexible 1 m cable (H05RN-F), wrapped 3 x 1.0 mm<sup>2</sup> single wires
- Breather membrane to optimize air exchange, without compromising IP protection



## TECHNICAL DATA

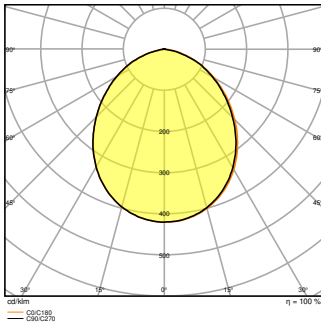
### Electrical data

Nominal wattage	180.00 W
Nominal voltage	220...240 V
Mains frequency	50...60 Hz
Nominal current	867 mA
Inrush current	9.3 A
Inrush current time $T_{h50}$	3.6 $\mu$ s
Max. no. of lum. on circuit break. B16 A	10
Max. no. of lum. on circuit break. C10 A	7
Max. no. of lum. on circuit break. C16 A	12
Power factor $\lambda$	> 0.90
Total harmonic distortion	< 20 %
Protection class	I
Operating mode	Integrated LED driver

### Photometrical data

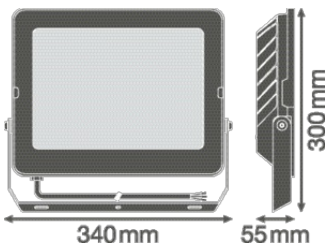
Luminous flux	18000 lm
Luminous efficacy	100 lm/W
Color temperature	4000 K
Light color (designation)	Cool White
Color rendering index Ra	$\geq$ 80
Standard deviation of color matching	< 5 sdc <sub>m</sub>
Luminous intensity	-
Low flicker	Yes
Flickering metric (Pst LM)	-
Stroboscope effect metric (SVM)	-
Photobiological safety group acc. to EN62778	RG1
Photobiological safety group acc. to EN62471	RG1
Beam angle	100 ° x 100 °





### Dimensions & Weight

Length	300.00 mm
Width	340.00 mm
Height	55.00 mm
Product weight	2910.00 g
Cable length	1000 mm



### Materials & Colors

Product color	Black
Housing color	Black
Body material	Aluminum
Cover material	Tempered glass
Light emitting surface material	Glass
Glow Wire Test according to IEC 60695-2-12	650 °C
Mercury content	0.0 mg

### Application & Mounting



Ambient temperature range	-30...+45 °C
Temperature range at storage	-40...+70 °C
Type of connection	Cable, 3-pole
Type of protection	IP65
Protection class IK (shock resistance)	IK08
Dimmable	No
Mounting type	Surface
Mounting location	Wall / Pole / Floor
Application environment	Outdoor
Adjustable	Yes
LED module replaceable	Not replaceable
With light source	Yes

### Lifespan

Lifespan L70/B50 at 25 °C	50000 h
Lifespan L80/B10 at 25 °C	35000 h
Lifespan L90/B10 at 25 °C	25000 h
Number of switching cycles	100000




### Certificates & Standards

Standards	CE / CB / EAC
Luminaire with limited surface temperature, "D sign"	No
Ball shot safe	No

### Safety advice

- Max. wind load surface 0.077 m<sup>2</sup>

### DOWNLOAD DATA

DOWNLOAD DATA	
	User instruction
	Addon Technical Information
	Tender documents



**DOWNLOAD DATA**



Declarations Of Conformity CE



IES file (IES)



LDT file (Eulumdat)



R3D file (Relux 3D Model)



M4D file (3D Model with rotation axis)



ULD file (DIALux)



Packaging insert

**LOGISTICAL DATA**

Product code	Packaging unit (Pieces/Unit)	Dimensions (length x width x height)	Gross weight	Volume
4058075575189	Folding box 1	387 mm x 97 mm x 352 mm	3180.00 g	13.21 dm <sup>3</sup>
4058075575196	Shipping box 2	392 mm x 194 mm x 356 mm	6.74 g	27.07 dm <sup>3</sup>

The mentioned product code describes the smallest quantity unit which can be ordered. One shipping unit can contain one or more single products. When placing an order, for the quantity please enter single or multiples of a shipping unit.

**ADDITIONAL CATALOG INFORMATION**

**References / Links**

- For Guarantee see [www.ledvance.com/guarantee](http://www.ledvance.com/guarantee)

**DISCLAIMER**

Subject to change without notice. Errors and omission excepted. Always make sure to use the most recent release.